

LE1	220/230V		380/400V		415V		440V		500V		LR2	aM
	kW	HP/Ch	kW	HP/Ch	kW	HP/Ch	kW	HP/Ch	kW	HP/Ch		
09	2.2	3	4	5.5	4	5.5	4	5.5	5.5	7.5	1314	22x58 14x51 10x38
12	3	4	5.5	7.5	5.5	7.5	5.5	7.5	7.5	10	1316	
18	4	5.5	7.5	10	9	12	9	12	10	13.5	1321	
25	5.5	7.5	11	15	11	15	11	15	15	20	1322	
32	7.5	10	15	20	15	20	15	20	18.5	25	2353	
40	11	15	18.5	25	22	30	22	30	22	30	3355	
50	15	20	22	30	25	35	30	40	30	40	3359	
65	18.5	25	30	40	37	50	37	50	37	50	3361	
80	22	30	37	50	45	60	45	60	55	75	3363	
95	25	35	45	60	45	60	45	60	55	75	3365	

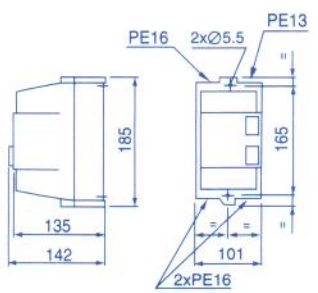
LE1 D093...D123

LE1 D094...D124

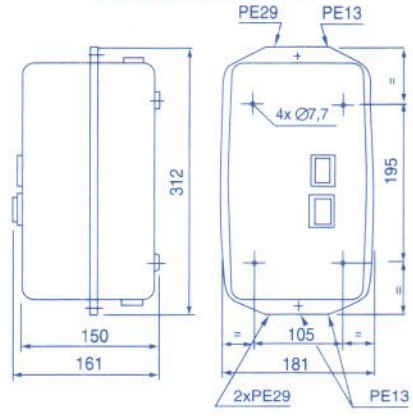
LE1 D188...D258

LE1 D185...D955

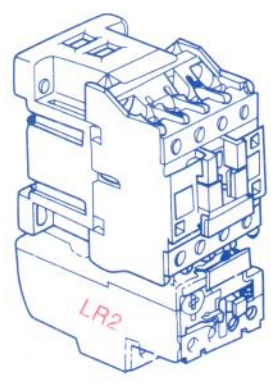
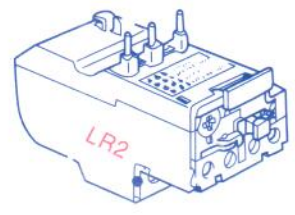
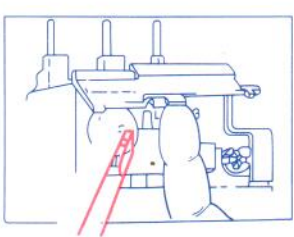
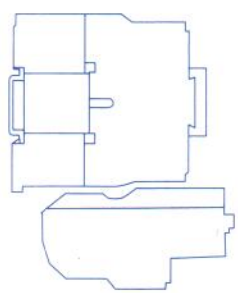
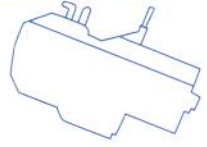
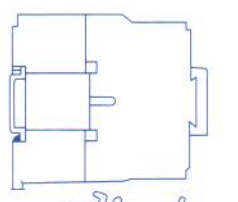
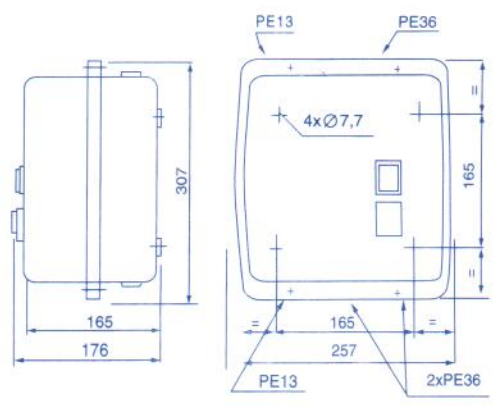
LE1 D188/D258  
LE1 D185/D255



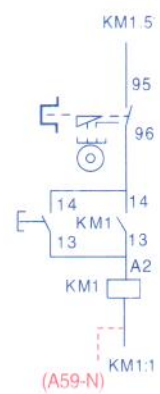
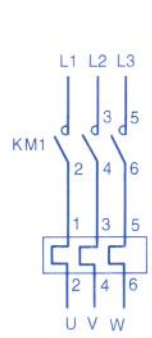
LE1 D325/D405  
LE1 D505/D655



LE1 D805/D955



LE1 D09...D12

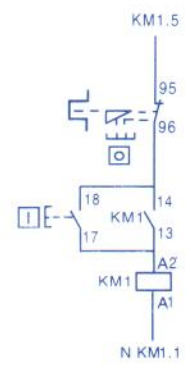
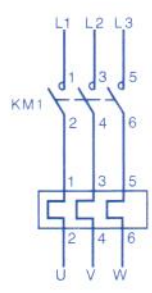


N (A59)

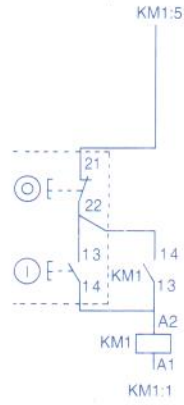
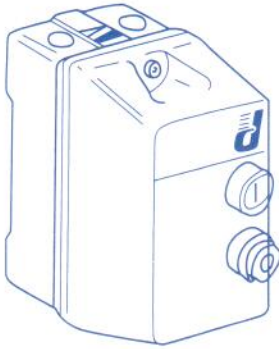


AB1-VV435UBL + AB1-AC24BL

LE1 D18...D95



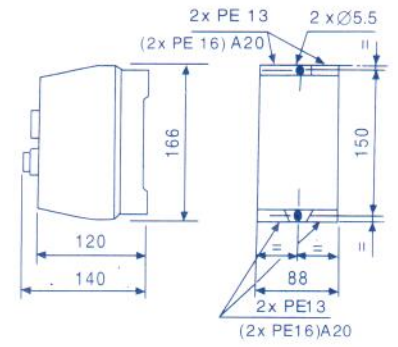
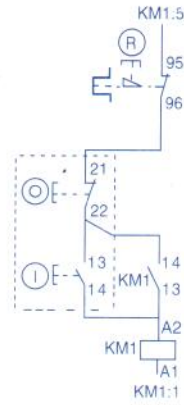
# A04



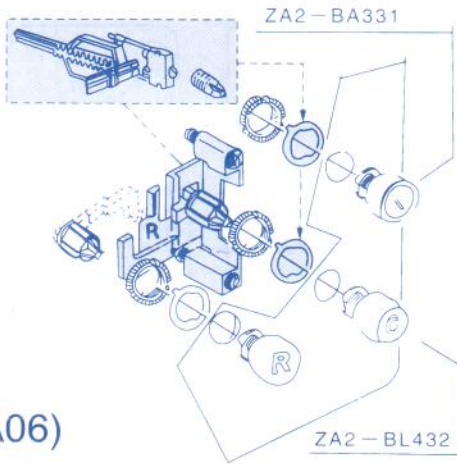
# A05



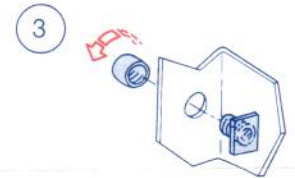
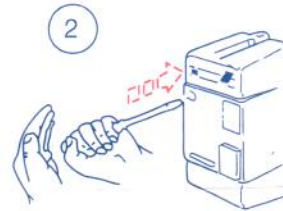
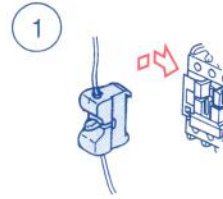
ZA2-BA639



# LA9-D0910

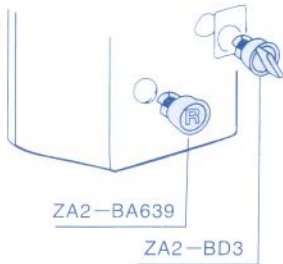


(A06)



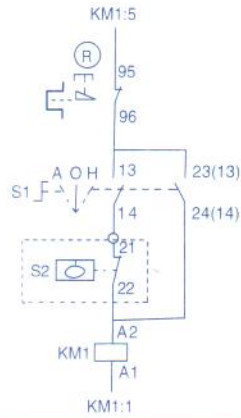
110V	LA9-D924
220V	LA9-D925
330V	LA9-D926

# A09

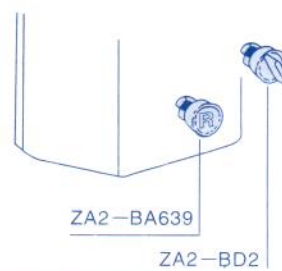


ZA2-BA639

ZA2-BD3



# A13



ZA2-BA639

ZA2-BD2

